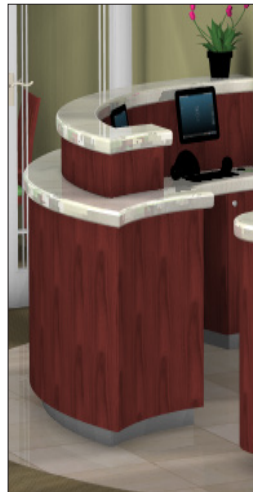
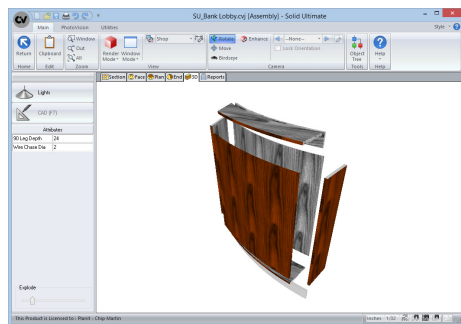


: solid ultimate

Top Reasons to Upgrade from Solid Advanced

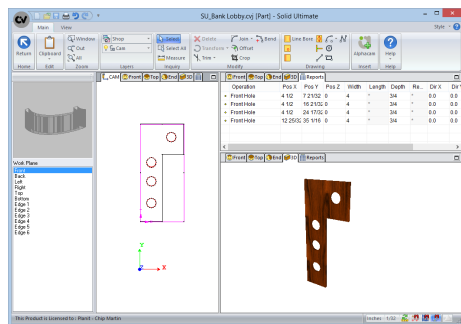


- Full Part Control
- Exploded Assembly Views
- Create and Edit Custom Reports
- Define Part and Assembly Labor
- Counter Top Construction Definition
 - User Defined Intelli-Joints™
 - Import 3D Models for Materials
- With Screen to Machine™ Center you get:
 - Grain Matching
 - Counter Top Machining
 - MDF Doormaker
 - Dovetail Drawers



The ultimate solution for any sized commercial or residential cabinet shop, from the smallest to the largest. Solid Ultimate gives you a complete set of tools to engineer “your” product exactly as you need it.

Design and detail all your jobs using advanced solid modeling technology. Solid Ultimate automatically generates your shop drawings, 3D customer renderings, cutting lists, material requirements and estimating. Graphically layout your job or use the built-in Order Entry function to quickly create your cutting list or estimates.



Solid Ultimate enables any furniture, woodworking or kitchen cabinet manufacturer to fully automate and integrate its design through manufacturing processes, saving time, eliminating costly mistakes and increasing productivity.

All Casegood and Closet products include:

- Drawing Capabilities
- 3D Rendering
- Cutlists and Reports
- Pricing and Bidding

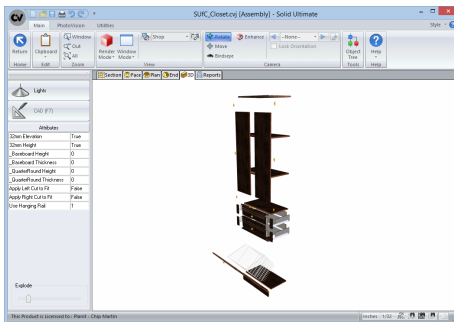
Ultimate	Module	Solid Ultimate
Advanced	Target shop	Any shop needing complete customization
Standard	S2M Capable	Yes
Essential	Info	cabinetvision.com/solidultimate

solid ultimate for Closets



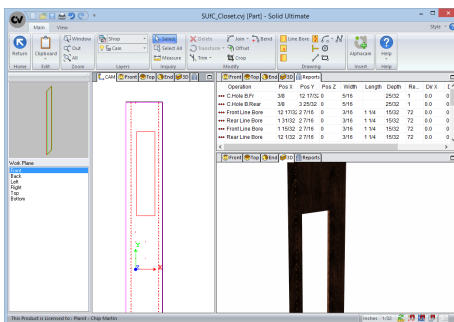
Top Reasons to Upgrade from Solid Advanced for Closets

- Full Part Control
- Exploded Assembly Views
- Create and Edit Custom Reports
- Define Part and Assembly Labor
- Counter Top Construction Definition
 - User Defined Intelli-Joints™
 - Import 3D Models for Materials
- With Screen to Machine™ Center you get:
 - Grain Matching
 - Counter Top Machining
 - MDF Doormaker
 - Dovetail Drawers



Solid Ultimate for Closets is the ultimate solution for any sized closet shop from the smallest to the largest. Solid Ultimate for Closets gives you a complete set of tools to engineer “your” product exactly as you need it.

Design and detail all your jobs using advanced solid modeling technology. Solid Ultimate for Closets automatically generates your shop drawings, 3D customer renderings, cutting lists, material requirements and estimating. Graphically layout your job or use the built-in Order Entry function to quickly create your cutting list or estimates.



Solid Ultimate for Closets enables any closet manufacturer to fully automate and integrate its design through manufacturing processes, saving time, eliminating costly mistakes and increasing productivity.

All Casegood and Closet products include:

- Drawing Capabilities
- 3D Rendering
- Cutlists and Reports
- Pricing and Bidding

